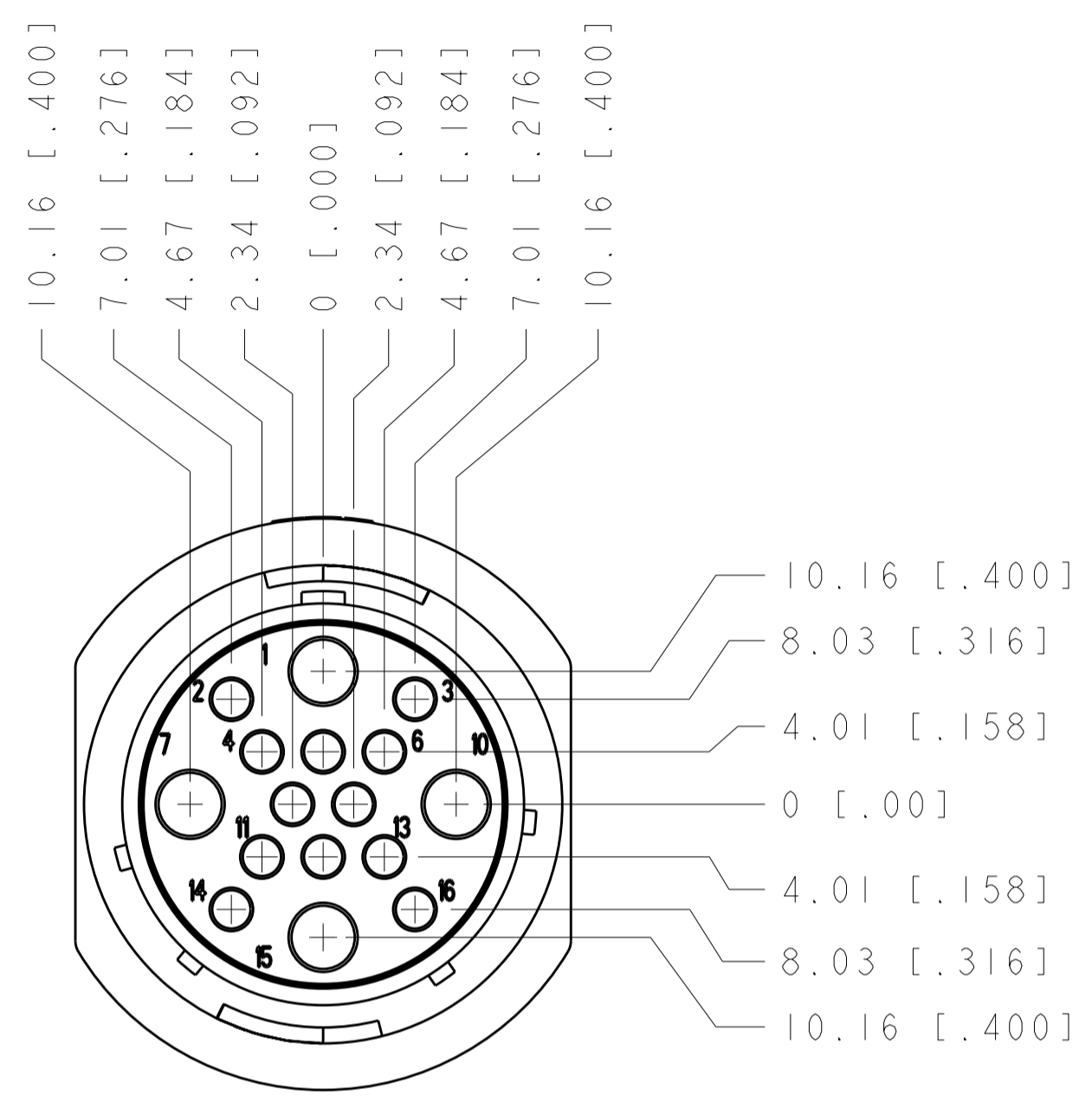
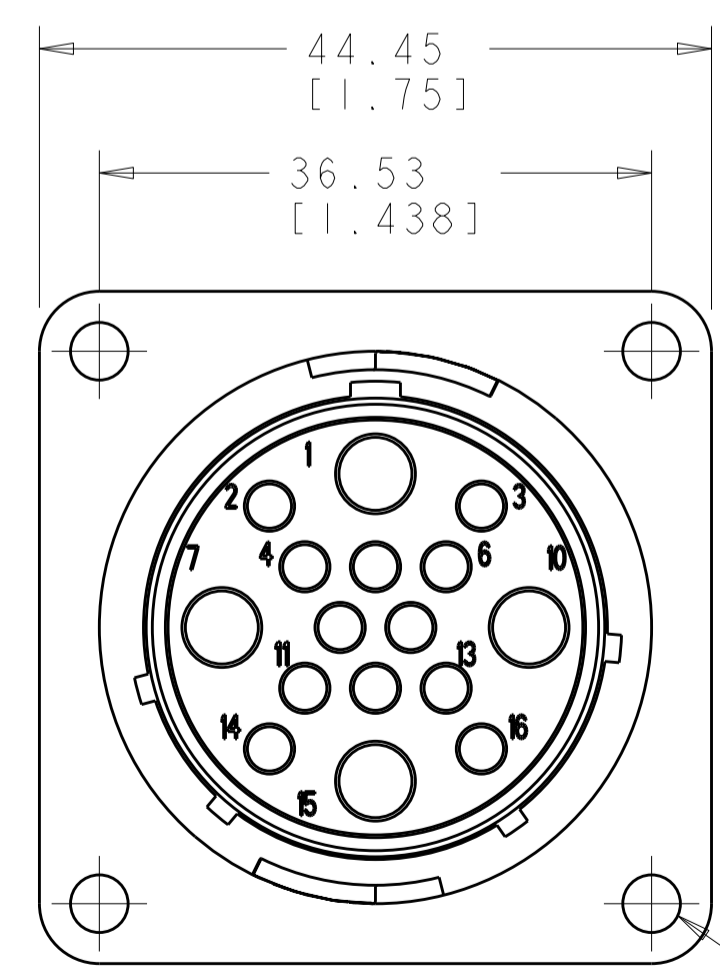


THIS DRAWING IS UNPUBLISHED. RELEASED FOR PUBLICATION  
 © COPYRIGHT 19 BY TYCO ELECTRONICS CORPORATION. ALL RIGHTS RESERVED.

REVISIONS				
P	LTR	DESCRIPTION	DATE	APVD
E		REVISED EC 063B-0155-05	23MAY2005	SW SH
F		ADDED -3, ECO-06-013943	22JUN2006	SW SH

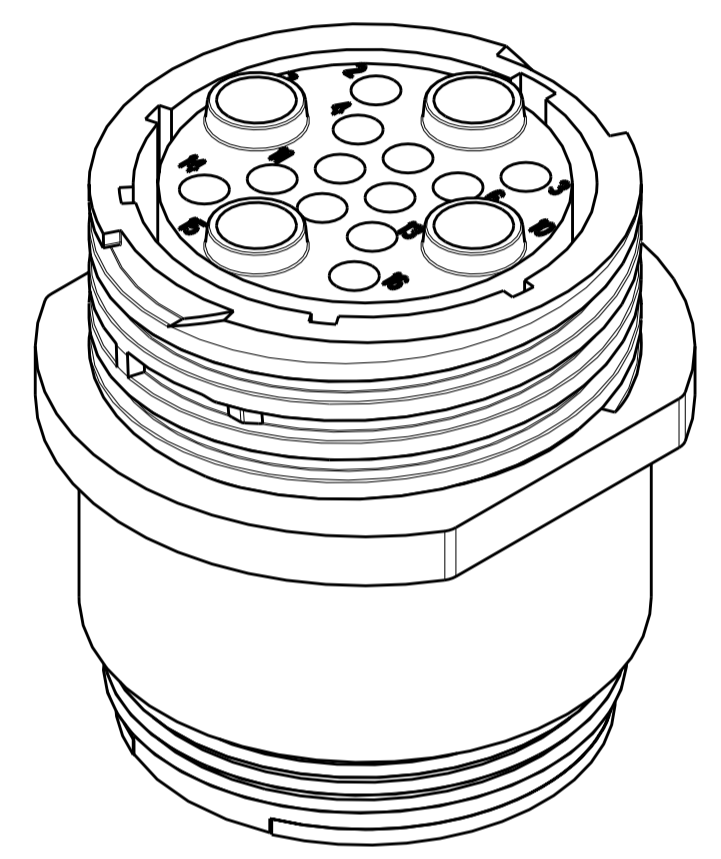
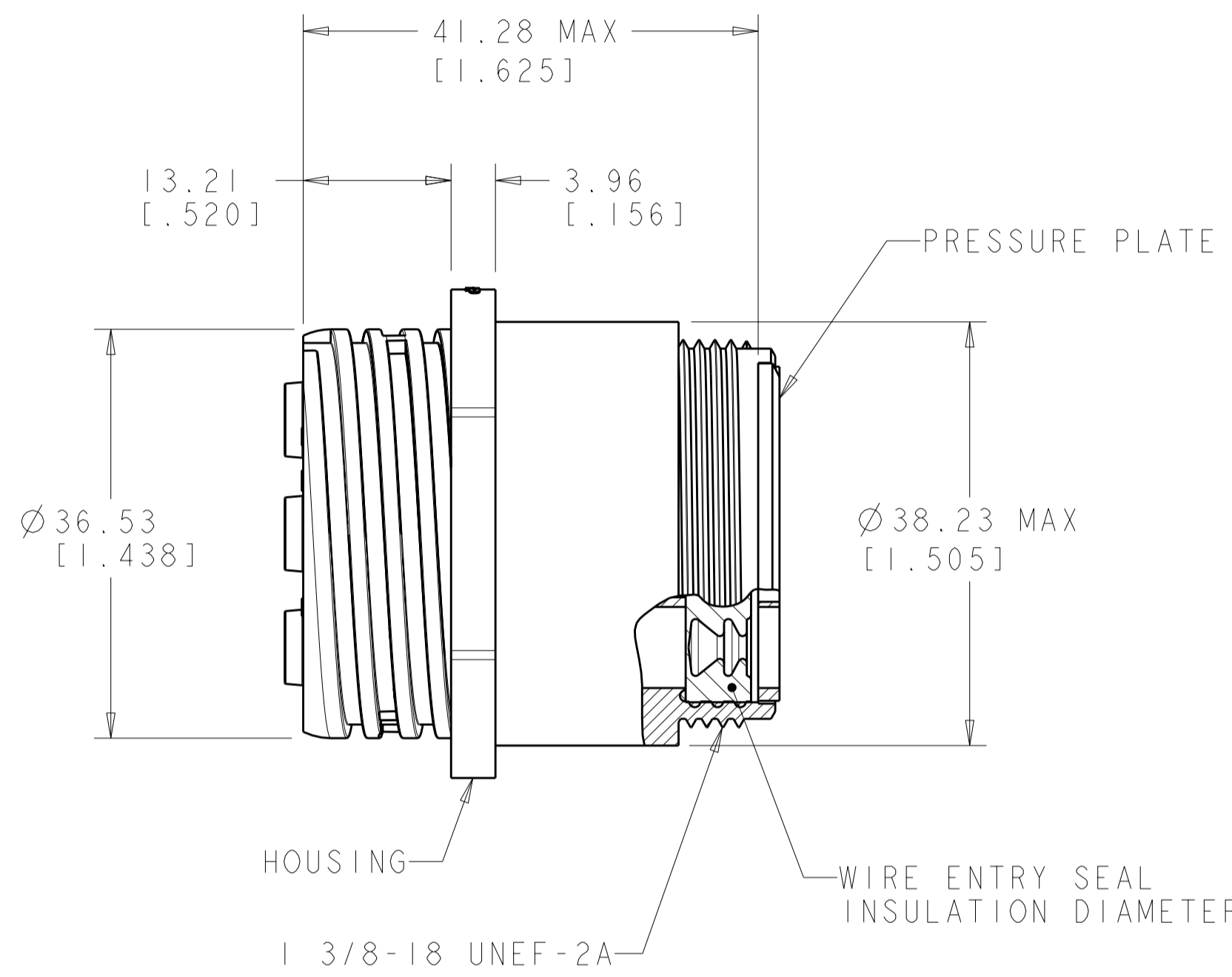


FREE-HANGING VERSION



SQUARE FLANGE VERSION

THREADED INSERT  
 QTY: 4, SEE TABLE



- 1 HOUSING & PRESSURE PLATE: NYLON, BLACK.  
 WIRE ENTRY SEAL: ELASTOMER, RED-IRON OXIDE.  
 PERIPHERAL SEAL: POLYESTER, BLACK.
- 2. CONNECTOR WILL ACCEPT (12) MULTIMATE SOCKET  
 AND (4) POWER SOCKET CONTACTS.

PRELIMINARY	.095-.205	NO	SQUARE FLANGE	796330-3
PRELIMINARY	.150-.260	YES	SQUARE FLANGE	796330-2
	.095-.205	NO	FREE-HANGING	796330-1
INSULATION DIAMETER	THREADED INSERT	HOUSING VERSION	PART NUMBER	

<small>THIS DRAWING IS A CONTROLLED DOCUMENT FOR TYCO ELECTRONICS CORPORATION                  IT IS SUBJECT TO CHANGE AND THE CONTROLLING ENGINEERING ORGANIZATION                  SHOULD BE CONTACTED FOR THE LATEST REVISION.</small>		DWN S.WELDON 13DEC1999 CHK J.ENGLE 13DEC1999 APVD J.ENGLE 13DEC1999	<b>AMP</b> AMP Incorporated Harrisburg, PA 17105-3608
DIMENSIONS: mm [INCHES]		TOLERANCES UNLESS OTHERWISE SPECIFIED: 0 PLC ± 1 PLC ± 2 PLC ±0.02 3 PLC ± 4 PLC ± ANGLES ± FINISH -	PRODUCT SPEC 108-1579 APPLICATION SPEC - WEIGHT -
MATERIAL -		CUSTOMER DRAWING	NAME RECEPTACLE ASSY, SERIES 6, REVERSE SEX, SIZE 23-16 CIRCULAR PLASTIC CONNECTOR SIZE A2 CAGE CODE 00779 DRAWING NO. 796330 RESTRICTED TO -
SCALE 2:1		SHEET 1 OF 1	REV F